



MAXIMATIC® FILTER-REGULATOR-LUBRICATORS



MMFRL-2P-D
FRL with Polycarbonate Bowls
and Auto Drain



MMFRL-3W
FRL with Bowl Shields

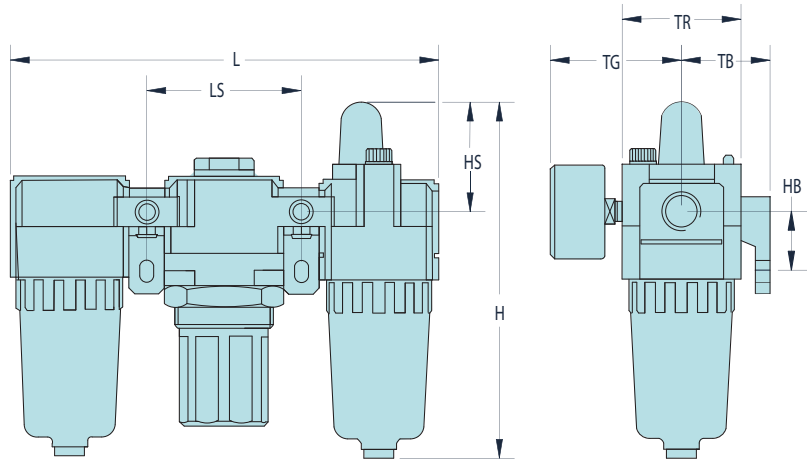
Combination FRLs provide air filtration, regulation and lubrication in one unit for easy mounting and installation. Includes L brackets and gauge.

Bowl: Polycarbonate standard. Steel bowl shields provided on models indicated. Metal bowls with sight glasses also available, add “-M” to the Part Number.

Regulating Range: 7 to 100 psig on MMFRL-1N, 7 to 125 psig on all others. 30 and 60 psig ranges also available, add “-P30” or “-P60” to the end of the Part Number.

Drain: Semi-Automatic standard on MMFRLS-3 series. Manual standard on all others. Optional Automatic Drain available—add “-D” to the Part Number. Drains not available on Lubricators.

Filtration: 25 micron filter standard. Add “-F5” to the end of the Part Number for an optional 5 micron filter.



Drawing shown with Polycarbonate Bowl without Shield or Auto Drain

| Dim. | MMFRL-4Z | | | | | |
|------|-------------|--------------|--------------|--------------|--------------|---------------|
| | MMFRL-1 | MMFRL-2 | MMFRL-3 | MMFRL-4W | MMFRL-4A | MMFRL-5B |
| H | 3.33 (84.6) | 4.92 (125.0) | 6.16 (156.5) | 7.54 (191.5) | 7.60 (193.0) | 10.69 (271.5) |
| HB | 0.79 (20.1) | 0.94 (23.9) | 1.39 (35.3) | 1.57 (40.0) | 1.57 (39.9) | 1.97 (50.0) |
| HS | 1.00 (25.4) | 1.50 (38.1) | 1.50 (38.1) | 1.61 (40.9) | 1.61 (40.9) | 1.89 (48.0) |
| L | 3.58 (90.9) | 5.51 (140.0) | 7.13 (181.1) | 9.37 (238.0) | 9.96 (253.0) | 11.81 (300.0) |
| LS | 1.3 (33.0) | 1.97 (50.0) | 2.52 (64.0) | 3.31 (84.1) | 3.50 (88.9) | 4.13 (104.9) |
| TB | 0.98 (24.9) | 1.18 (30.0) | 1.61 (41.0) | 1.97 (50.0) | 1.97 (50.0) | 2.75 (69.9) |
| TG | 1.02 (25.9) | 2.24 (57.0) | 2.39 (60.7) | 2.58 (65.5) | 2.74 (69.6) | 2.97 (75.4) |
| TR | 0.98 (24.9) | 1.57 (40.0) | 2.09 (53.1) | 2.76 (70.1) | 2.76 (70.1) | 3.54 (89.9) |

| Part No. | Port | Gauge Port | Flow Rate | Bowl Shield | Gauge |
|--------------------|----------|------------|----------------------|-------------|------------|
| MMFRL-1N | #10-32 | 1/16" NPT | 3 scfm 90 l/min | no | PG-10-160J |
| MMFRL-2P | 1/8" NPT | 1/8" NPT | 18 scfm 500 l/min | no | PG-15-160P |
| MMFRL-2Q | 1/4" NPT | 1/8" NPT | 18 scfm 500 l/min | no | PG-15-160P |
| MMFRL-3O | 1/4" NPT | 1/8" NPT | 70 scfm 2,000 l/min | yes | PG-15-160P |
| MMFRL-3W | 3/8" NPT | 1/8" NPT | 70 scfm 2,000 l/min | yes | PG-15-160P |
| MMFRL-4W | 3/8" NPT | 1/4" NPT | 140 scfm 4,000 l/min | yes | PG-15-160P |
| MMFRL-4Z | 1/2" NPT | 1/4" NPT | 140 scfm 4,000 l/min | yes | PG-20-160Q |
| MMFRL-4A-M* | 3/4" NPT | 1/4" NPT | 160 scfm 4,500 l/min | yes | PG-20-160Q |
| MMFRL-5B-M* | 1" NPT | 1/4" NPT | 180 scfm 5,000 l/min | yes | PG-20-160Q |

* Metal bowl standard